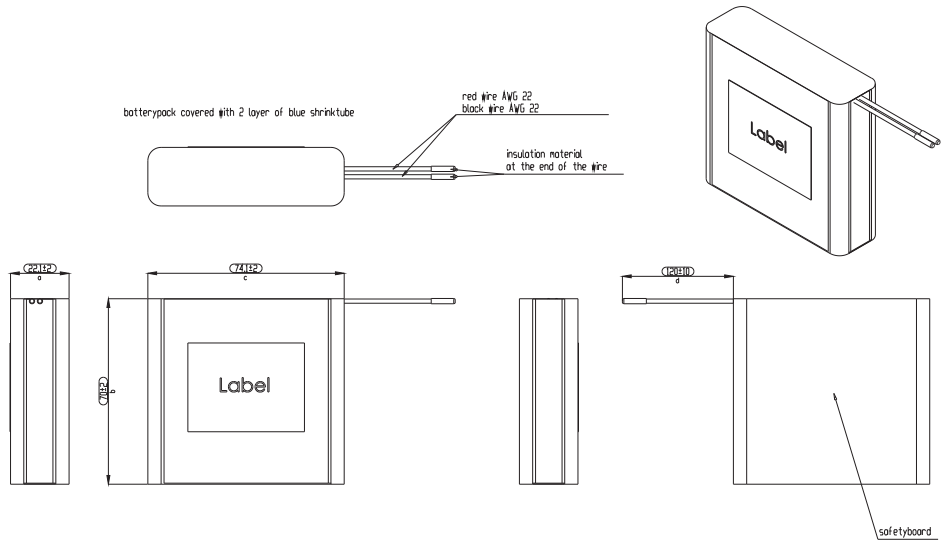


Technische Daten/ technical data	: Akkupack/ battery pack
Chemie/ chemistry	: Lithium Ion
Zellenzahl/ no. of cells	: 4 Zellen/ cells ; 4S1P
Zellentyp/ cell type	: INR18650 LGC MJ1
Kapazität/ capacity	: nom. 3500mAh discharge at 0.2C min. 3350mAh discharge at 0.2C to 20°C; EVIDischarge End Voltage: 25V per cell
Innenwiderstand/ impedance	: < 240mΩ (battery and safetyboard)
Nominalspannung/ nominal voltage	: 14.54V
Standard Ladespannung/ standard charge voltage	: 16.8V±1%
Standard Entladespannung/ standard discharge voltage	: 10V
Nominaler Ladesstrom/ nominal charge current	: 0.5C
Maximaler Ladesstrom/ maximum charge current	: 1C
Ladeendstrom/ charge end current	: 0.01C recommended
Maximaler Entladesstrom/ maximum discharge current	: 4000mA (limited by safetyboard)
Anwendungstemperaturbereich/ ambient temperature range	: 0°C..+45°C charge -20°C..+60°C discharge -20°C..+30°C storage max. 1 year -20°C..+45°C storage max. 3months
Selbstentladung/ self discharge	: ≤ 5% / month at 20°C ≤ 10% / month at 30°C ≤ 20% / month at 40°C
Standards/	: IEC 61960, Subsection 3B3 All cells and battery packs type tested according to IEC manual of test and criteria subsection 3B3
Technische Daten/ technical data	: Sicherheitsschaltung/ safety board (0180-3199)
Überladeschutzspannung/ over charge voltage detection	: 4.25V±25mV per cell
Wiedereinschaltspannung/ over charge release voltage	: 4.15V±50mV per cell
Entladeschutzspannung/ over discharge detection voltage	: 2.4V±80mV per cell
Wiedereinschaltspannung/ over discharge release voltage	: 3.0V±100mV per cell
Nominaler Lade/Entladesstrom/ nominal operating current	: 4A
Entlade Abschaltstrom/ discharge cut off current	: 15A± 5A
Kurzschlusschutz/ short circuit protection	: gegen äußeren Kurzschluss/ against external short circuit
Temperaturschalter/ temperature switch	: PTC : JK-P600 20V/6A at 25°C; 52A at 40°C
MOSFET	: in Pluszweig/ in positive path
Rückstellkriterium/ release condition	: Last trennen, Aktiv nach Anladen/ cut load, release after charging up
Leiterplattenmaterial/ pcb material	: FR4
Nettogewicht/ net weight	: 2032g
Standards	: CE, UKCA



Part Number	SAP Description
2447-3032-20	Li-Ion-14.5V-3500mAh-4S1P-PTC/LG
2447-3032-220	Li-Ion-14.5V-3500mAh-PTC/UK

Allowable deviation general tolerances	Surface:	Material:	Weight
DM ISO 2768-mS	Scale (DN A2): 1:1	Projection method	1
Drawn by: 12/03/2018 changed by: JT	Product name: Li-Ion-14.5V-3500mAh-4S1P-PTC/LG		
V5 standards updated 03/01/2018 DS	Part number: 2447-3032-X20		Project: IS-01263
V4 change request DE-28-5613 13/01/2018 MS	Application range for inquiry: XXX/XX		Sheet 1/1
V3 part number overview added 15/01/2018 DS			
V2 cable length changed 16/01/2018 DS			
V1 change request DE-71-2671 14/01/2018 DS			
V0 created this DWS 12/03/2018 JT			
Version Change Date Name			